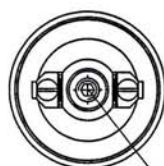
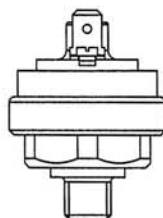
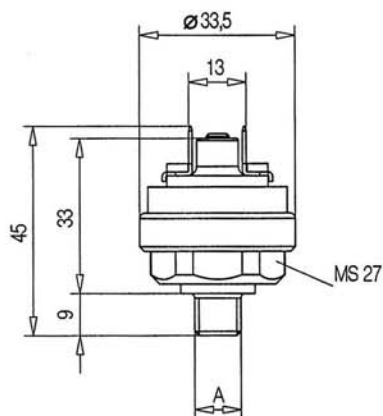
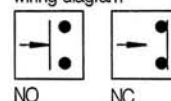


NO or NC


 setting screw
 M5 DIN 914

wiring diagram



TECHNICAL DATES

order no.	DS 360+DS 361
pressure setting range	0,2 - 1,5 bar
working pressure max.	2 bar
bursting pressure	4 bar
design	spring safety membranes
diaphragm	NBR, special design FKM, CR, EPDM
manner of fastening	male thread
fitting thread >A<	M10 x 1, other thread types on demand
mounting position	any
ambient temperature	-25°C bis + 85°C, higher temperatures on demand
medium	air, hydraulic oil, oil emulsions, water, others on demand
adjustability	by factory
switch back difference	5%
mechanical life	10 ⁶
material	AL, special design brass or VA
weight	30 g
switching element	silver-plated contacts / special gold-plated contacts
reference voltage	42 V
reference frequency	not over 100 Hz
switching frequency max.	100/min.
maximum load	1 A
electrical connection	tab 2 x 6,3 x 0,8
protective system	IP00
breaking capacity	100 VA
for inductively loaded DC circuits e. g. for magnets, spark extinguishers have to be provided	

Department eDocumentation

Phone +49 7125 9497-41, -42, -53, -260, -330

Fax +49 7125 9497-99

 e-mail: eDocumentation@riegler.de

edition 06/2015 Subject technical changes.

RIEGLER & Co. KG
www.riegler.net